

- mica -

IL-600 & IL-6000GT

IL-600EM SAFETY LIGHT
The light will be automatically turned on when the lamp is in the charging stand and the charging power is cut off (power failure, etc.). Model EM is equipped with a small LED that is on when the lamp is in the charging stand. The LED shows that the lamp is in standby mode. IL-600EM will always be automatically switched on in the safety light mode when placed in the charging stand.

SPAREPARTS

1 H0051_4	Battery pack 9.0 Ah NiMH, microfit	14 H0190_1	IL-600 LED card unit
1 H0051_5	Battery pack 5.5 Ah NiCd, microfit	14 H0190_2	IL-6000 LED card
2 H0056_1	Charging contact assembly	15 H0118_1	Gore-Tex valve
3 H0100_10	IL-600 orange lamp body (NiCd)	16 H0191_1	IL-600/6000 Lens series, narrow
3 H0100_11	IL-600 yellow lamp body (NiMH)	17 H0192_1	IL-6000 Lens frame
3 H0100_12	IL-6000GT orange lamp body (NiCd)	18 H0193_1	IL-600 Screw set
3 H0100_13	IL-6000GT yellow lamp body (NiMH)	18 H0193_2	IL-6000 Screw set
4 H0101_1	IL-60/600/6000 switch cover assembly (grey)	H0113_1	IL shoulder strap, orange-black
4 H0101_2	IL-60/600/6000 switch cover assembly (black)	H0113_2	IL shoulder strap, yellow-black
5 H0102_3	IL-600/800/6000 lamp switch	ACCESSORIES:	
6 H0104_1	IL-60/600 locking ring (grey)	11230	ILC vehicle charger
6 H0104_2	IL-60/600 locking ring (black)	11225	ILC-VAC AC mains charger
6 H0104_5	IL-6000 locking ring (black, aluminium)	11274	IL-2 mains unit 90...265 VAC/47...63Hz
7 H0105_1	IL-60/600/6000 lens	11351	Green filter, plastic
7 H0105_2	IL-60/600 square lens	11352	Orange filter, plastic
8 H0106_1	IL-60/600 O-ring seal (1 pc.)	11350	Red filter, plastic
8 H0106_3	IL-6000 O-ring seals (2 pc.)	11357	Dispersing filter, plastic
9 H0107_5	IL-600 circuit board	11266	Filter pouch
9 H0107_6	IL-600EM lamp circuit board	11265	Flashlight stand
9 H0107_7	IL-6000 lamp circuit board		
9 H0107_8	IL-600 BK lamp circuit board		
12 H0111_13	IL-600/800/6000 lamp reflector		
13 H0112_1	IL-60/600/6000 internal cassette assembly		

TECHNICAL DATA

Battery:	NIMH 6V 9.0Ah or NiCd 6V 5.5Ah
Lens:	109.5 x 5mm 3 x Cree LED
Light source:	
Operating temperature range:	-20°C...+40°C
Protection class:	IP-67 (MICA IL-600) IP-67 (MICA IL-6000)
Dimensions:	121 x 121 x 216mm
Weight:	MICA IL-600 with NIMH battery 1.4kg, with NiCd battery 1.3kg MICA IL-6000 with NIMH battery 1.6kg, with NiCd battery 1.5kg

WARRANTY CONDITIONS

MICA IL-600/6000GT lamps are covered by a two year warranty starting from the purchasing date. The warranty covers possible manufacturing and raw material defects in line with general warranty conditions. Note: the lamp battery is covered by a one year warranty. The warranty is not valid if the electronics component adjustment values have been changed or the components have been damaged in any way. For maintenance under the warranty, please send the lamp and the charging stand as well as a copy of your receipt with the lamp. Note! A new MICA lamp/battery must be commissioned or re-charged within three (3) months of its manufacture.

MICA SERIES LAMPS AND ACCESSORIES

Mica Elektro Oy Ltd. specialises in designing and manufacturing high-quality rechargeable MICA lamps and safety lighting systems. **Get to know our products – visit: www.mica.eu**

Please read this manual carefully in order to experience the full benefits of your lamp. Please store the manual for later use.

TAKING INTO USE

The charge of the lamp's battery will be reduced when the lamp is stored. The lamp must be fully charged prior to taking into use by using a MICA ILC charging stand. The battery will be charged from empty to full in 6 to 12 hours, depending on the temperature and condition of the battery. A new battery will reach its full capacity when it has been charged/discharged about ten times. **The first charging of a new lamp must take at least 12 continuous hours!**



IL-600

IL-6000GT

© 07-2011 MICA ELEKTRO OY LTD

We reserve the right to change information given in this manual at any time.

Mica Elektro Oy Ltd. P.O.B. 42, FIN-00381 Helsinki
 tel: +358-9-5617 666 fax: +358-9-5617 6688
 email: info@mica.eu internet: www.mica.eu

- mica -
 e-l-e-k-t-r-o

IL-600 & IL-6000GT USE

Switch controls the functions of different lamp models as follows:

- IL-600**: LOW-POWER -> FULL-POWER -> OFF.
- IL-600 BK**: FULL-POWER -> BLINK -> OFF.
- IL-600EM**: LOW-POWER -> FULL-POWER -> OFF. If the lamp is in charging stand and a power failure takes place, the lamp is automatically lit at LOW-POWER.
- IL-6000GT**: LOW-POWER -> FULL-POWER -> OFF & Boost
- IL-6000GT** lamps are equipped with "Boost" function activated by holding the switch down. The function stays on for as long the switch is held down.

The series of LEDs under the lamp's handle show the battery charge. If only one of the LEDs is on and/or the lamp begins to flash approximately every 15 seconds, the lamp battery is almost empty (approx. 10-20 minutes remain). The control electronics will automatically turn off the lamp prior to deep discharge of the battery. In an emergency, the lamp can still be used for a short period of time, but the battery's service life will be reduced. The operating time of a fully charged battery depends on the bulb and light intensity used.

OPERATING TIMES	IL-600 NiMH	IL-600 NiCd	IL-6000 NiMH	IL-6000 NiCd
LOW POWER	24h	16h	24h	16h
FULL-POWER	8h	5h	5h	3h

TO BE TAKEN INTO ACCOUNT WHEN USING LAMP

The operating time will become shorter as the battery ages. If overall operating time remains clearly below the values stated in the table even when the battery has been fully charged, the battery must be replaced.

In case of NiCd batteries, in order to guarantee as long a service life as possible, the lamp should be discharged from time to time by leaving the lamp on until it automatically shuts off. Lamps equipped with NiCd batteries should be discharged this way approximately once a month. This allows avoiding the battery memory phenomenon that reduces its operating time. **Please note that you may not install a NiMH battery in a NiCd lamp!**

CHARGING AND STORAGE

Do not charge IL-600 & IL-6000 lamps in charging stands other than the new MICA ILC. Older MICA charging stands will not charge the lamp correctly, but can be upgraded to be suitable. IL lamps should be stored in their stands while not in use. Please read the charger manual as well!

CHARGING TIME	IL-600 NiMH	IL-600 NiCd	IL-6000 NiMH	IL-6000 NiCd
	12h	7h	12h	7h

MAINTENANCE

During the warranty period, components may be replaced by an authorised MICA service agent only. Only original MICA spare parts may be used.

IL-600 lamp disassembly and assembly:

- Remove the charging contacts on the bottom of the lamp (open Phillips screws).
- Unscrew the locking ring, remove the lens and sealing.
- Open three 2 mm Allen screws and lift the reflector out.
- Carefully disconnect the black/red wire connector from LED circuit board.
- Open six 2 mm Allen screws and remove the aluminium support plate and circuit board.
- Slide the carriage unit halfway out of the cover and disassemble the operating switch connector (if the carriage is stuck, tap the lamp gently against the edge of a table). Pull the carriage completely out of the cover.
- Replace the components necessary and assemble in reverse order. Avoid pinching any wires. The locking ring should be tightened while in the charging stand, in order to ensure sufficient tightness.

IL-6000 lamp disassembly and assembly:

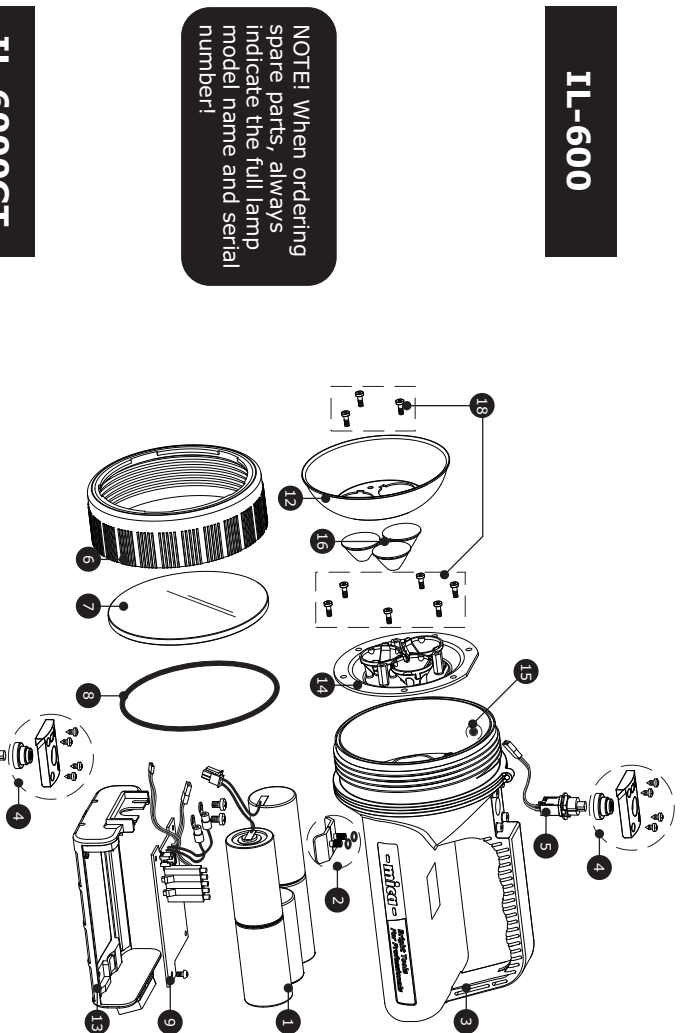
- Remove the charging contacts on the bottom of the lamp (open Phillips screws).
- Open six 2.5 mm Allen screws and remove the lens frame, lens and sealing.
- Open three 2 mm Allen screws and lift the reflector out.
- Open six 2 mm Allen screws. Open the aluminium frame slightly and carefully disconnect the black/red wire connector from LED circuit board.

Slide the carriage unit halfway out of the cover and disassemble the operating switch connector (if the carriage is stuck, tap the lamp gently against the edge of a table). Pull the carriage completely out of the cover. Replace the components necessary and assemble in reverse order. Avoid pinching any wires.

Push switch replacement:

Begin removing the switch from outside the cover, by undoing the four screws holding the switch cover plate in place. Remove the cover plate and the rubber shield, and disassemble the switch from the inside of the cover. When doing this, check that the rubber switch shield is intact, since its condition is important to the leakproofness of the lamp.

IL-600



NOTE! When ordering spare parts, always indicate the full lamp model name and serial number!

IL-6000GT

